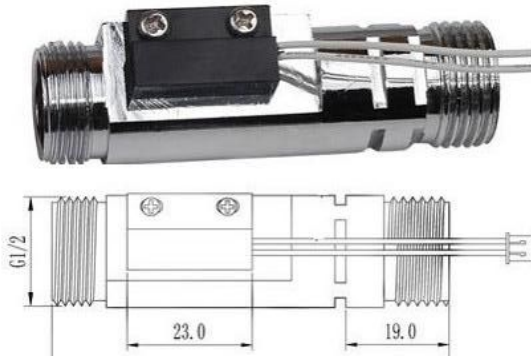


## GE-317 Brass Flow Switch

The body of GE-317 flow switch is Brass material, used in Sea Water Heating System, Water Purification Equipment, Welding Equipment, Laser System, to measure or control the flow rate. The Magnet don't stay in the flow, so the magnet will not contact with the rust of the water flow, so could make sure the flow switch will be stability.



**Special Useful**

**In**

**Water Heating System**



1. Media Temperature -20~85 C
2. Average Pressure Loss 0.01bar at Qmax.
3. Max Pressure 1.6M Pa
4. Flow Rate: 1.5~30 L/Min
5. Output: 1A(Max) 250VAC/DC 100W(Max)
6. Protection Class IP65
7. Install Position Vertical(The Wire must be top)
8. Materials Brass