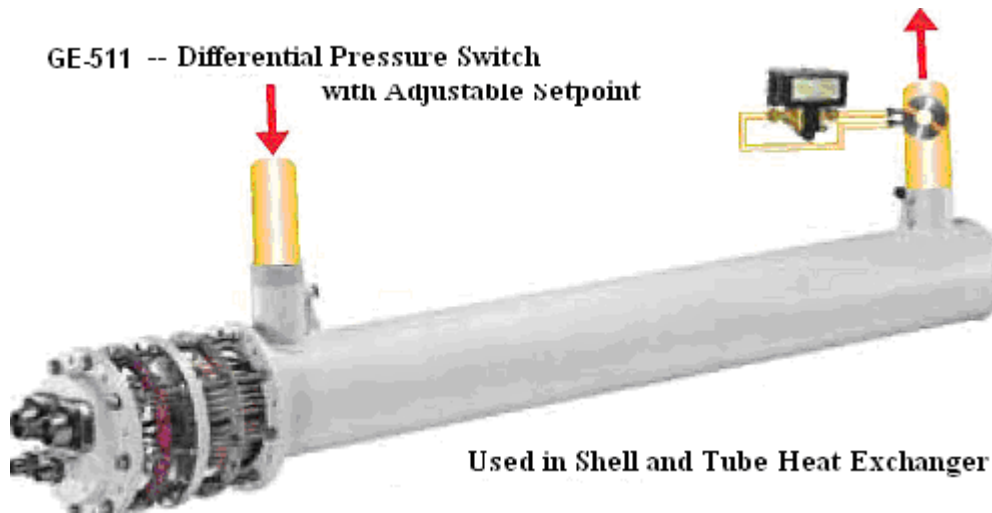
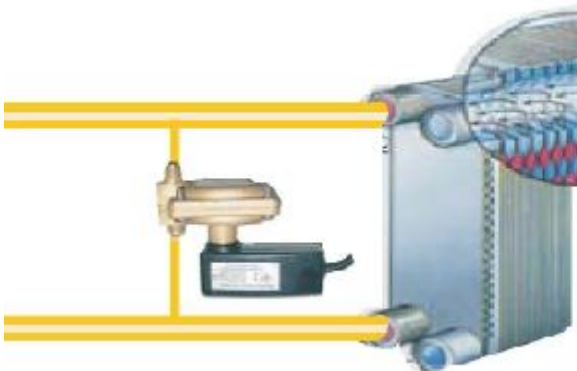


The Differential Pressure Switch is a new type flow switch, when the water flow (differential pressure) in system rises up or falls down to one set value, it will output a warning or sent switch-off signal to automatic control system. And it could also be used to indicate the status of pump or water filter.



**GE-512 Differential Pressure Flow Switch  
With Fixed Pressure Set Point**



**Used in Plate Heat Exchanger**



**Used in Double Pipe Heat Exchanger**

***Accurately Control & Stability***

***No Pressure Loss \* Dirt Resistant \* Easy Install***

It could avoid the shortcomings of annual inspection or changing target flow switch for water chiller unit so it could be applied widely in the water protection, status feedback of pump and by-pass control of differential pressure in evaporator and condenser in medium and large sized water chiller unit.

**Specification:**

- \* Protection Grade IP54
- \* Media Temperature -20~93 C
- \* Environmental Temperature -20~71 C
- \* Max Voltage 250V AC
- \* Max Current 3A
- \* Max Static Pressure 10/16/20 Bar
- \* Metering Substances Oil, Water, Air
- \* Max Pressure 25bar (30bar Available)
- \* Main Materials Brass or Stainless Steel



**GE-511 Differential Pressure Flow Switch with Adjustable Set Point**

GE-511A Series is D-P Flow Switch with single adjustable setpoint. The adjustable differential pressure switch could be calibrated directly by manufacturer according to customer's requirement, and printed the calibrated value on the label of product, so user needs not readjust in the field. The customer could calibrate by professional instrument according to the differential pressure required by equipment, and A.YITE COMPANY could provide relevant service.

Type	Pressure Setpoint Range	Switching Differential Set To	Output
030	5~30k Pa	3k Pa	1×3A SPDT
070	6~70k Pa	5k Pa	1×3A SPDT
100	6~100k Pa	6k Pa	1×3A SPDT
200	10~200k Pa	10k Pa	1×3A SPDT
300	20~300k Pa	15k Pa	1×3A SPDT

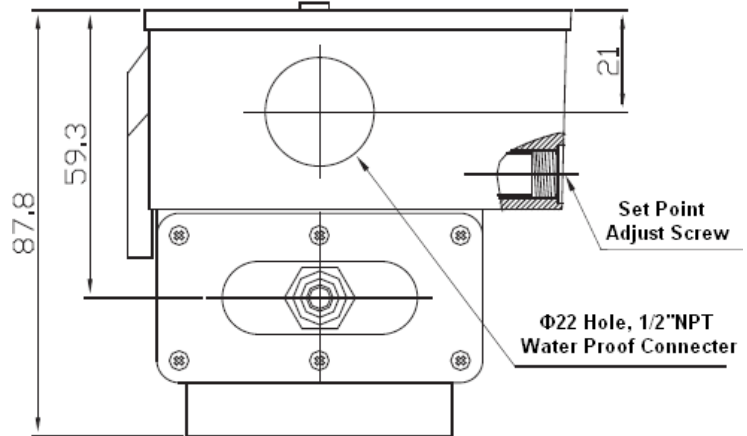
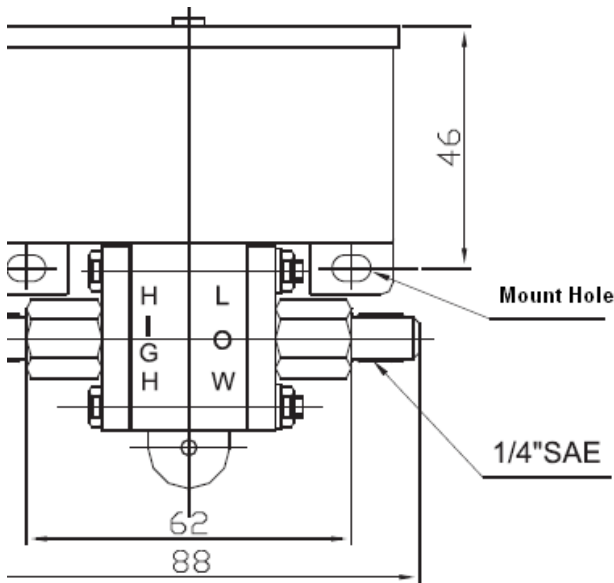
GE-511B Series is D-P Flow Switch with 2 adjustable setpoint. In order to meet various requirements of customers, A.YITE COMPANY also developed the adjustable double setpoints DP switch for upper-lower limit control of differential pressure. And if choose the local indicator, it could be applied to control the water cooled evaporator and condenser in HVAC system, the more or less flow of other heat exchanger, and low flow of heat exchanger due to scaling or dirty jamming, which has incomparable advantages than target flow switch.

Type	Pressure Setpoint Range		Switching Differential		Output
	$\Delta P1$	$\Delta P2$	Set To $\Delta P1$	Set to $\Delta P2$	
030	5~30k Pa	6~100k Pa	3 k Pa	6 k Pa	2×3A SPDT
070	6~70k Pa	6~100k Pa	5 k Pa	6 k Pa	2×3A SPDT
100	6~100k Pa	6~100k Pa	6 k Pa	6 k Pa	2×3A SPDT
150	6~100k Pa	10~200k Pa	6 k Pa	10 k Pa	2×3A SPDT
200	10~200k Pa	10~200k Pa	10 k Pa	10 k Pa	2×3A SPDT
300	20~300k Pa	20~300k Pa	15 k Pa	15 k Pa	2×3A SPDT

- \* Stable
- \* Accuracy Control
- \* No Pressure Loss
- \* Dirt Resistant
- \* Easy Adjustment of Switch
- \* Easy Install



### Monitor The Working Condition of Pump



### Specification:

- \* Protection Grade IP54
- \* Medium Temperature -20~93 C
- \* Environmental Temperature -20~71 C
- \* Output: 10A; 125/250V AC
- \* Metering Substances Oil, Water, Air
- \* Max Pressure 25bar (30bar Available)
- \* Main Materials Brass I
- \* Cable 1.5m, 2×0.5mm<sup>2</sup>



### GE-512 Differential Pressure Flow Switch With Fixed Pressure Set Point

GE-512 Series is Differential Pressure Switch with Fixed Pressure Setpoint, the setpoint could not be changed. So if the user choose one type of GE-512, the user could not change the flow setpoint, then it will avoid the mistake in Installing.