

Integrated Fixed Ultrasonic Flowmeter EU-107

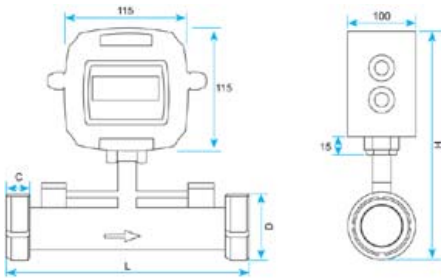
EU-107 series Ultrasonic Flow Meter is Integrated Fixed Flowmeter, with high accuracy, wide range, low-cost, easy to use, no mechanical moving parts. This Integrated Flowmeter could avoid the mistake from Inaccurate Measurement for the pipe, when installed the transducer.

To meet different require, we design 3 type Integrate Ultrasonic Flowmeter: EU-107G Standard Flange, EU-107S PI Flange, EU-107C Joint Type

The ultrasonic flow meter works with Ultrasonic Technology and Measures by Principle of time difference. There is a pair of ultrasonic vibrator and receiver in the exterior of pipe emitting in two directions and both face to face. The light vibrator will emit ultrasonic signals down stream and reversed stream. Measuring the time difference of the two directions transmission, you will get the flow rate of the fluid; then input the diameter of pipe, you will get the flow.

Linearity	0.42%
Repeatability	0.17%
Accuracy	Normally $\pm 0.8\%$ of reading at rates $> 0.2\text{mps}$
Response Time	0-999 seconds, user-configurable
Pipe Material	Stainless Steel, Carbon Steel
Units	English (U.S.) or metric
Liquid Types	Virtually all liquids and liquids with minor solids ($< 10,000\text{ppm}$). Full pipes
Digital Interface	OCT / RS-485 / 4~20mA output
Power Supply	220V AC / 24VDC (Standard)

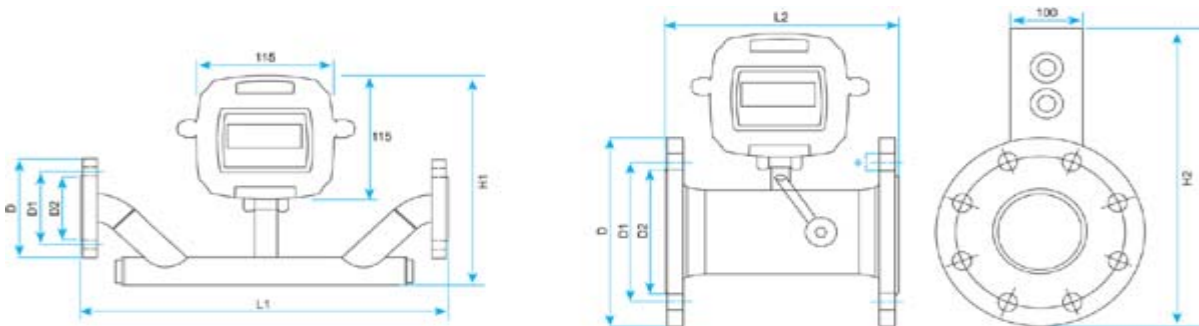
EU-107C Joint Type Integrated Fixed Ultrasonic Flowmeter



Nominal Diameter(mm)	Rated Pressure (MPa)	Articulate Dimension			
		L	H	D	C
25	4.0	300	282	51	19
40		300	300	74	23
50		300	310	84	24
65		350	330	100	28
80		400	345	114	30
100		450	365	128	31

EU-107G Standard Flange Type Integrated Fixed Ultrasonic Flowmeter

EU-107S PI Flange Type Integrated Fixed Ultrasonic Flowmeter



Nominal Diameter(mm)	Rated Pressure(MPa)	PI-type Dimension(mm)		Standard-pipe Dimension(mm)		Flange Dimension(mm)			
		L1	H1	L2	H2	D	D1	D2	N-Φ
15	2.5	320	136			95	65	46	14×4
20		360	142			105	75	56	14×4
25		390	151			115	85	65	14×4
32		450	157			140	100	76	18×4
40		500	169			150	110	84	18×4
50	1.6			200	260	165	125	99	18×4
65				200	280	185	145	118	18×4
80				225	295	200	160	132	18×8
100				250	314	220	180	156	18×8
125				250	347	250	210	184	18×8
150				300	372	285	240	211	22×8
200				350	430	340	295	266	22×12
250				450	489	405	355	319	26×12
300				500	543	460	410	370	26×12
350				550	599	520	470	429	26×12
400				600	653	580	525	480	26×16
450			700	708	640	585	548	30×20	
500			800	771	670	620	585	25×20	
600			1000	884	780	725	685	30×20	
700			1100	964	860	810	775	24×25	
800			1200	1072	975	920	880	24×30	
900			1300	1172	1075	1020	980	24×30	
1000			1400	1287	1175	1120	1080	28×30	

How To Choose a Type as your need?

A B C D E F G H I

EU-107 — — — — — — — — —

Letter	Parameter	Option
A	Pipe Type	G:Standard Flange Pipe S:PI Flange Pipe C:Joint Articulate Type
B	Power	D:DC 24VDC(standard) A:AC 220VAC
C	Pipe size	DN(mm)
D	Pipe material	0: Carbon steel 1: Stainless steel
E	Nominal pressure	_____MPa
F	Signal output	N:none A:4-20mA output (note range) F:OCT output 4:RS485 output (note baud rate、communication check digit)
G	Signal input	N:none 1:one channel 4-20mA analog input (note range) 2:two channels 4-20mA analog input (note range) 3: three channels 4-20mA analog input (note range)

Need More Information, Please Contact With A.YITE Group

Website: <http://www.ayite.net>

Email: Sales@ayite.net